

INSTALLATION INSTRUCTIONS

WESTGATE

THE FUTURE IS HERE...AND IT'S QUITE BRIGHT!

PSAL Series 120V ac

Safety Precautions

Read all safety precautions and installation instructions carefully before installing or servicing this fixture. Failure to comply with these instructions could result in potentially fatal electric shock and/or property damage.

It is recommended that a qualified electrician perform all wiring. This fixture must be wired in accordance with all national and local electrical codes.

Do not handle an energized fixture or attempt to energize any fixture with wet hands or while standing on a wet or damp surface or in water.

Make sure that the power source conform to the requirements of the fixture. (See labels on fixture housing.)
To reduce the risk of electrical shock, and to assure proper operation, this fixture must be adequately grounded.

LED lamp and heat-sink are HOT when energized!

Do not touch LED light engine or heat-sink.

- **12-inch minimum spacing** distance from luminaire required for all objects located under fixture.

This fixture is to be used for general indoor lighting in dry locations only.

Assembly Instructions

1. Preparation for Installation

- Disconnect electrical power before installing or servicing any part of this fixture.
- Place fixture on a clean flat surface with lens(6) towards you.
- Determine input power method (Cord, Link or Hardwire) and follow corresponding directions below.

2. Hardwire Installation Preparation

- Discard Cord if Hardwire Installation is used.
- Open cover plate(1) with screwdriver. Seeing FIG. 2.
- Remove appropriate 1/2" diameter knockout for supply wiring entry.
- Determine appropriate connector:
 - NM - Romex - A non-metallic push-on connector is included for use.
 - Flexible conduit (BX) - A push-on connector (shown) is included for use.
- Insert BX cable (not included) or Romex (not included) through appropriate connector. Feed appropriate supply wires (1 black wire, 1 white wire and 1 ground wire) through open 1/2" hole in the housing and push connector into it snaps in place.
- Follow the directions below for Mounting then proceed to Hardwire Installation Completion.

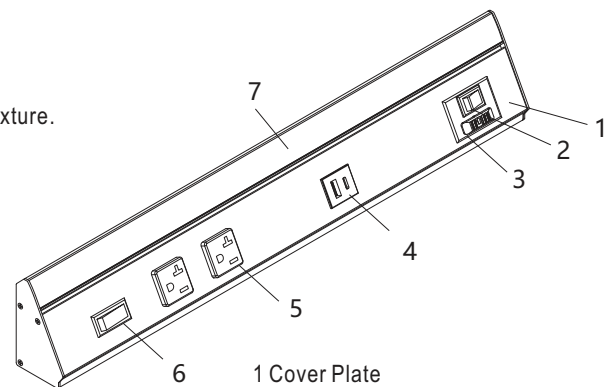


FIG. 1

- 1 Cover Plate
- 2 Switch for Light - ON/OFF
- 3 Switch for select LED color
- 4 USB Port TYPE A+C (Output: 5V 2.4ADC)
- 5 20A TR Receptacle
- 6 20A Overload Protection Switch
- 7 Lens

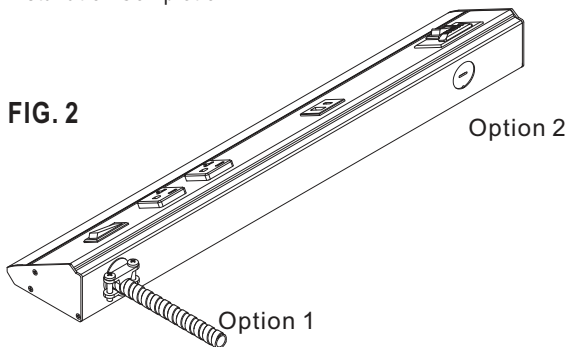


FIG. 2

3. Hardwire Installation Completion

and Receptacle and USB Installation Completion

- Connect the Green ground input supply wire to the fixture Green ground wire. Do this by inserting it into the open hole in the push-in wire connector (included) that is attached to the Green ground wire in the fixture.
- Connect the White input supply wire to the fixture White wire. Do this by inserting it into the open hole in the push-in wire connector (included) that is attached to the White wire in the fixture.
- Connect the Black input supply wire to the fixture Black wire. Do this by inserting it into the open hole in the push-in wire connector (included) that is attached to the Black wire in the fixture.

Do not mix wires or change polarity.

- Pull on each wire lead to make sure connections are secure. Make certain no bare wires are exposed outside of the wire connectors.
- To close cover plate(1) - Carefully arrange wires so they do not get pinched and rotate cover against channel. Secure cover under housing lances.

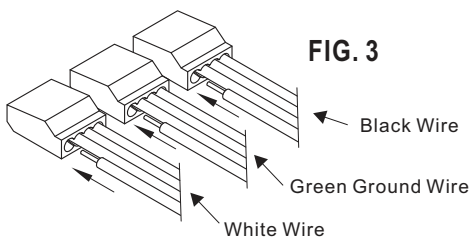
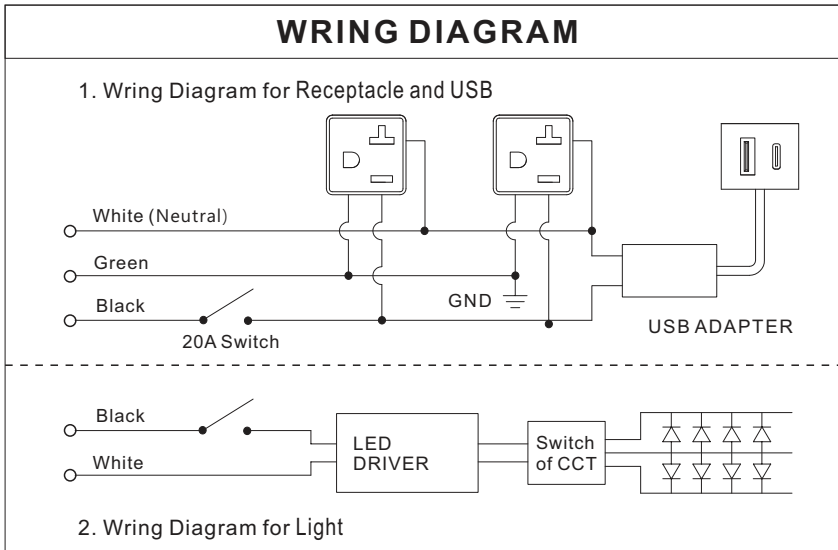


FIG. 3

WESTGATE

THE FUTURE IS HERE...AND IT'S QUITE BRIGHT!



**WIRE CONNECTOR OF
RECEPTACLE CIRCUIT ONLY
APPLIES NOT LESS THAN 12
AWG COPPER SOLID
CONDUCTOR**

4. Mounting

Place and level the unit in the desired position.
Secure the fixture with the provided mounting screws. (Fig.4)
If screws are difficult to install, mark the two points under the cabinet through the Install holes, make holes and drill 1/16" maximum pilot holes.

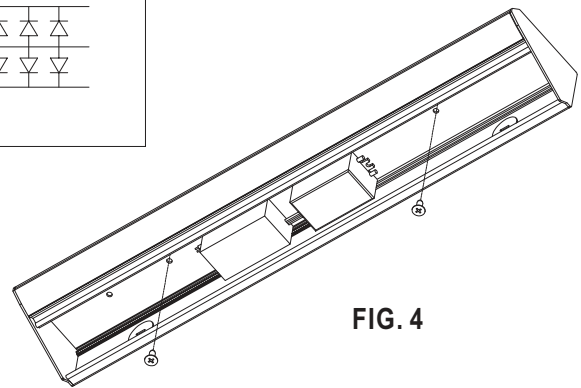


FIG. 4

5. Cover Installation

Engage lower bead of cover in base.
Starting at one end and progressing along unit, snap in upper bead by STRIKING SHARPLY WITH HEEL OF HAND. (FIG. 5 and FIG. 6)

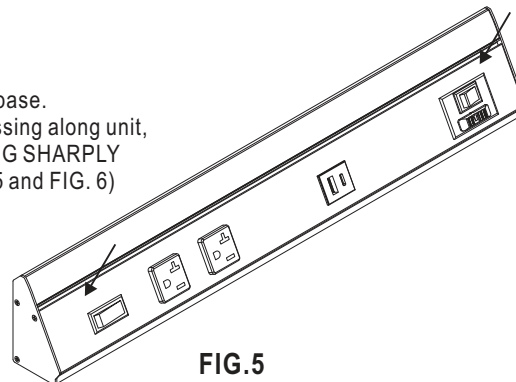


FIG. 5

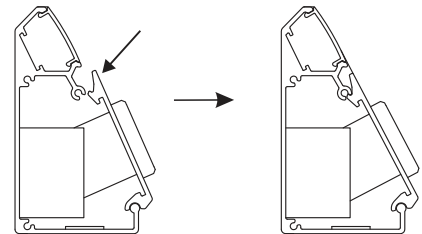


FIG. 6

CAUTION

To reduce the risk of fire, electric shock, or injury to persons:

- Use only insulated staples or plastic ties to secure cords;
- Route and secure cords so that they will not be pinched or damaged when the cabinet is pushed to the wall;
- Position the portable cabinet light with respect to the cabinet so the lamp replacement markings are able to be read during relamping;
- Not intended for recessed installation in ceilings, or soffits; and
- The National Electrical Code (NEC) does not permit cords to be concealed where damage to insulation may go unnoticed. To prevent fire danger, do not run cord behind walls, ceilings, soffits, or cabinets where it may be inaccessible for examination. Cords should be visually examined periodically and immediately replaced when any damage is noted.

ATTENTION

Pour réduire le risque d'incendie, de choc électrique ou de blessure:

- Utiliser des agrafes bien isolés ou des attaches en plastique pour fixer les cordons ;
- Route et cordons sécurisés de sorte qu'ils ne seront pas endommagés ou pincés lorsque l'armoire est poussé contre le mur ;
- Placer la lumière du cabinet portable par rapport à l'armoire de sorte que les marques de remplacement de la lampe sont en mesure de lire lors du remplacement ;
- n'est pas conçu pour une installation encastrée dans les plafonds ou soffites ; et
- Le National Electrical Code (NEC) ne permet pas de câble à être dissimulés en cas de dommage à l'isolation peut passer inaperçue . Pour éviter le danger d'incendie, ne pas passer le cordon derrière les murs, les plafonds, les soffites, ou des armoires où il peut être inaccessible pour examen. Cordons doivent être examinés visuellement périodiquement et remplacés immédiatement si des dommages sont constatés.